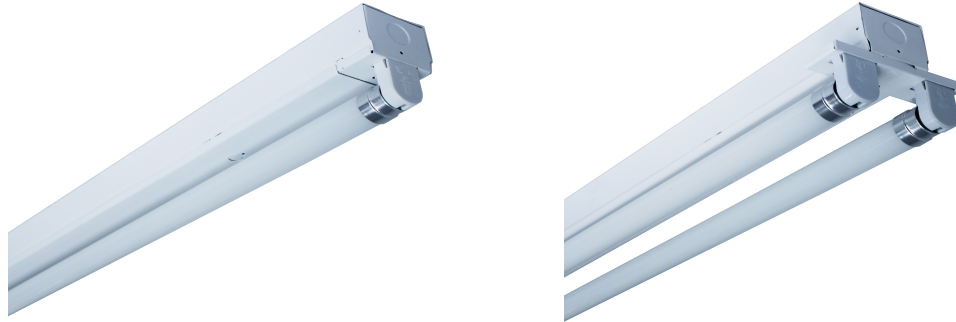




MIGHTY SYNERGY INDUSTRIES SDN BHD

309775-h

No. 16, Lorong Industri 15, Taman Bukit Panchor, 14300 Nibong Tebal, Penang, Malaysia.
 Tel : +604-593 1818 Fax : +604-593 1919
 Email : msi@msi.com.my Website : www.msi.com.my



MCF BARE CHANNEL FITTING

FEATURES & BENEFIT

- * Basic fluorescent lighting with minimum number of components for low maintenance and easy installation.
- * For use in area where directional control of illumination is minimal.

APPLICATION

- * Suitable as general lighting in both industrial and domestic application.
- * School, corridors, walkaway, lift lobby and staircase.

PRODUCT DESCRIPTION

| | |
|------------------------|----------------------------------|
| HOUSING MATERIAL | : COLD ROLLED STEEL |
| COATING | : WHITE EPOXY POWDER |
| RATE INPUT VOLT & FREQ | : 220-240V, 50/60 HZ |
| POWER FACTOR | : 0.5 / 0.9 |
| THD | : ≤20% |
| IP RATING | : IP20 |
| CCT | : 3000K / 4000K / 6500K |
| LIFE SPAN | : 15,000 / 30,000 / 50,000 HOURS |

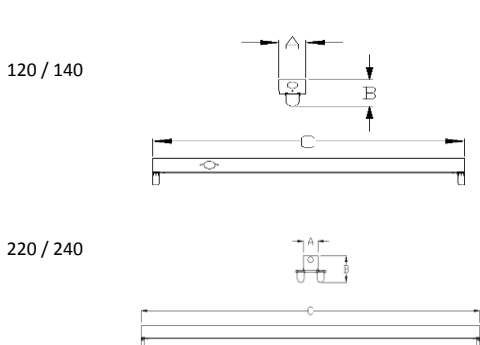
ORDER INFORMATION

| ORDERING CODE | | DIMENSION (in mm) ± 1.5mm | | |
|---------------|---------|---------------------------|----|------|
| MODEL | RATING | A | B | C |
| MCF 120 | 1 X 20W | 51 | 70 | 614 |
| MCF 140 | 1 X 40W | 51 | 70 | 1224 |
| MCF 220 | 2 X 20W | 51 | 70 | 614 |
| MCF 240 | 2 X 40W | 51 | 70 | 1224 |

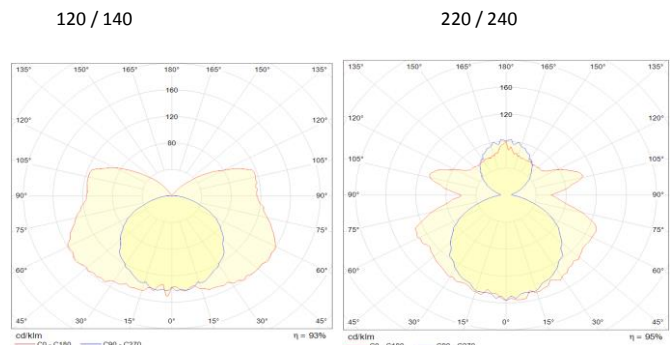
OPTIONAL CONTROL GEAR / COMPONENTS

- EMERGENCY POWER-PACK
- LAMPS

DIMENSION (± 1.5mm)



PHOTOMETRIC



*MSI reserve the right to change and amend the specification without prior notice

*Actual power consumption may vary from supplier's specification subject to power supply voltage etc variations