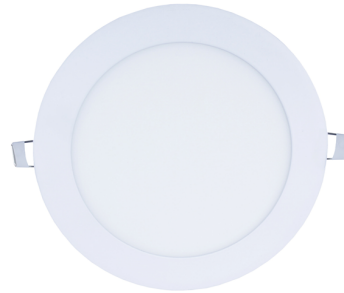




**MIGHTY SYNERGY INDUSTRIES SDN BHD**

309775-h

No. 16, Lorong Industri 15, Taman Bukit Panchor, 14300 Nibong Tebal, Penang, Malaysia.  
 Tel : +604-593 1818 Fax : +604-593 1919  
 Email : msi@msi.com.my Website : www.msi.com.my



# LDL DOWNLIGHT FITTING

**FEATURES & BENEFIT**

- \* An eco-friendly LED product for energy saving with wide range of sizes available and high performance led light source
- \* Offers longer service lifetime and less maintainance.

**APPLICATION**

- \* Suitable as general lighting in both industrial and domestic application.
- \* School, office, corridors, walkaway, lift lobby and toilet.

**PRODUCT DESCRIPTION**

HOUSING MATERIAL	: COLD ROLLED STEEL
COATING	: WHITE EPOXY POWDER
RATE INPUT VOLT & FREQ	: 220-240V, 50/60 HZ
	: 0.5 / 0.9
THD	: ≤20%
IP RATING	: IP40
CCT	: 3000K / 4000K / 6500K
LIFE SPAN	: 30,000 / 50,000 HOURS

**ORDER INFORMATION**

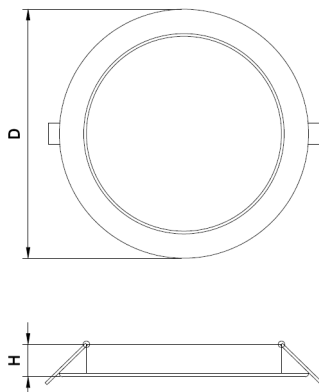
ORDERING CODE		DIMENSION (in mm) ± 1.5mm	
MODEL	RATING	D	H
LDL06V1.10.K	1 X 10W	180	28
LDL06V1.12.K	1 X 12W	180	28
LDL06V1.15.K	1 X 15W	180	28
LDL08V1.20.K	1 X 20W	233	30
LDL08V1.25.K	1 X 25W	233	30

**OPTIONAL CONTROL GEAR / COMPONENTS**

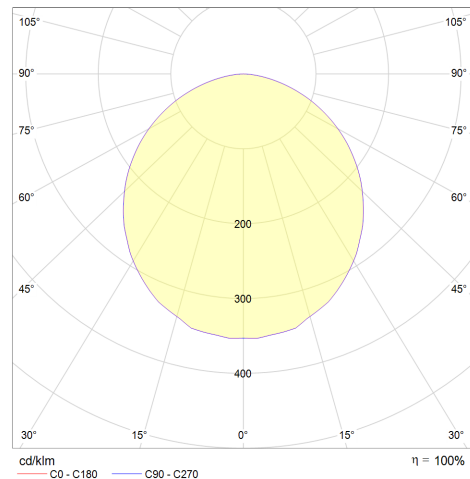
EMERGENCY POWER-PACK

LAMPS

**DIMENSION (± 1.5mm)**



**PHOTOMETRIC**



\*MSI reserve the right to change and amend the specification without prior notice

\*Actual power consumption may vary from supplier's specification subject to power supply voltage etc variations