



## MIGHTY SYNERGY INDUSTRIES SDN BHD

309775-h

No. 16, Lorong Industri 15, Taman Bukit Panchor, 14300 Nibong Tebal, Penang, Malaysia.

Tel : +604-593 1818 Fax : +604-593 1919

Email : msi@msi.com.my Website : www.msi.com.my



# LMS BARE CHANNEL FITTING

### FEATURES & BENEFIT

- \* Basic fluorescent lighting with minimum number of components for low maintenance and easy installation.
- \* For use in area where directional control of illumination is minimal.

### APPLICATION

- \* Suitable as general lighting in both industrial and domestic application.
- \* School, corridors, walkaway, lift lobby and staircase.

### PRODUCT DESCRIPTION

HOUSING MATERIAL	: COLD ROLLED STEEL
COATING	: WHITE EPOXY POWDER
RATE INPUT VOLT & FREQ	: 220-240V, 50/60 HZ
POWER FACTOR	: 0.5 / 0.9
THD	: ≤20%
IP RATING	: IP20
CCT	: 3000K / 4000K / 6500K
LIFE SPAN	: 15,000 / 30,000 / 50,000 HOURS

### OPTIONAL CONTROL GEAR / COMPONENTS

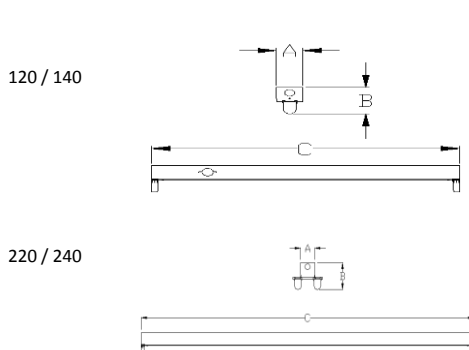
EMERGENCY POWER-PACK
LAMPS

### ORDER INFORMATION

ORDERING CODE		DIMENSION (in mm) ± 1.5mm		
MODEL	RATING	A	B	C
LMS 120	1 X 20W	39	65	614
LMS 140	1 X 40W	39	65	1224
LMS 220	2 X 20W	39	65	614
LMS 240	2 X 40W	39	65	1224

### PHOTOMETRIC

### DIMENSION (± 1.5mm)



120 / 140

220 / 240

